

A

B

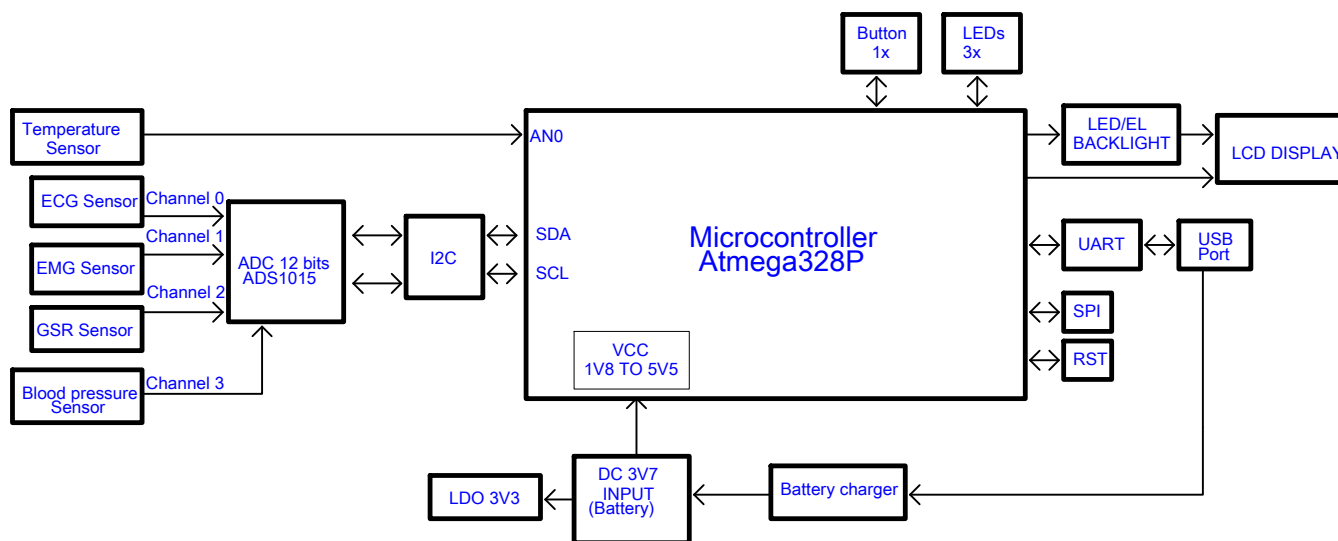
C

D

E

F

Publys board V1.0



PROJECT: PUBLYS

DRAWING TITLE:

DRAWN BY: EVER QUIÑONES

REVISION: V1.0

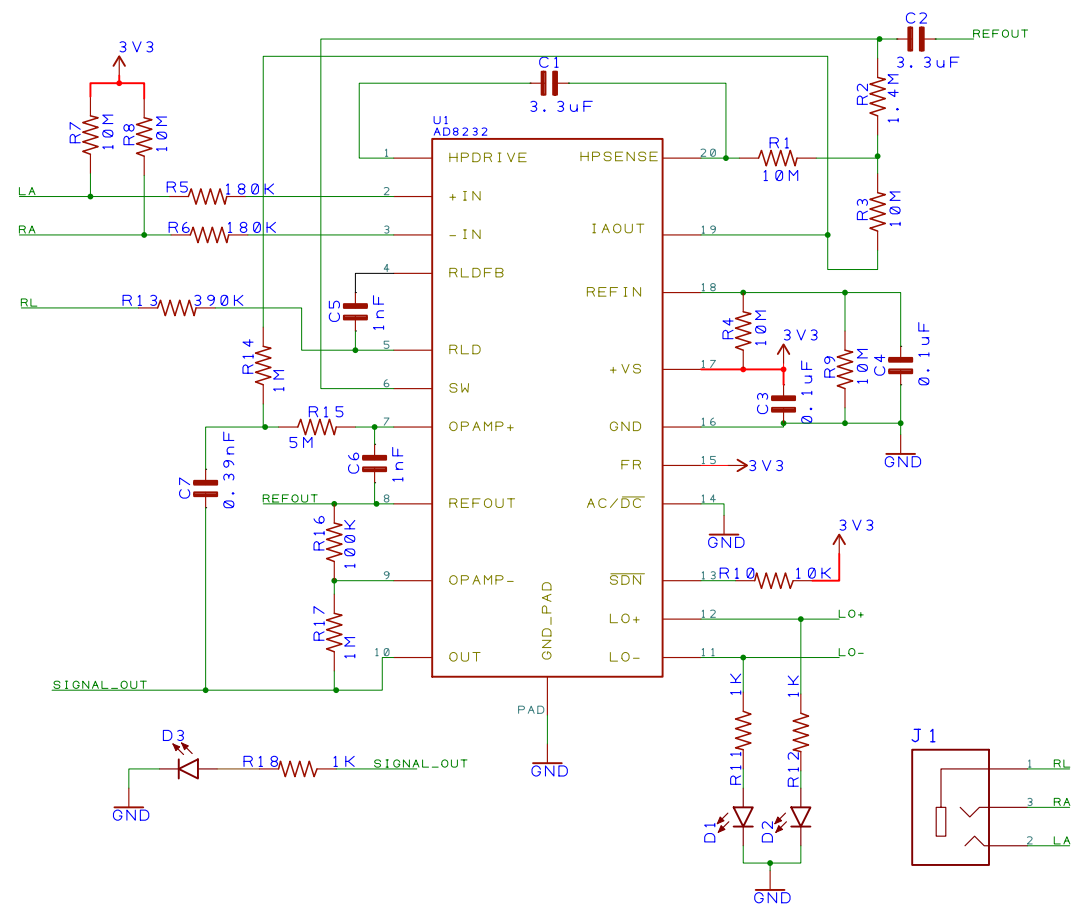
SHEET: 1 OF 3

STATUS:


DATE: 12/04/2018

DESIGNSPARK PCB available for FREE at www.DesignSpark.com/PCB

ECG SENSOR



Note: High pass cutoff is 0.05 Hz
low pass cutoff is 113 Hz

PROJECT: PUBLYS		
DRAWING TITLE:		
DRAWN BY: EVER QUIÑONES		REVISION: V1.0
SHEET: 2 OF 3	STATUS:	
DATE: 12/04/2018	DESIGNSPARK PCB available for FREE at www.DesignSpark.com/PCB	

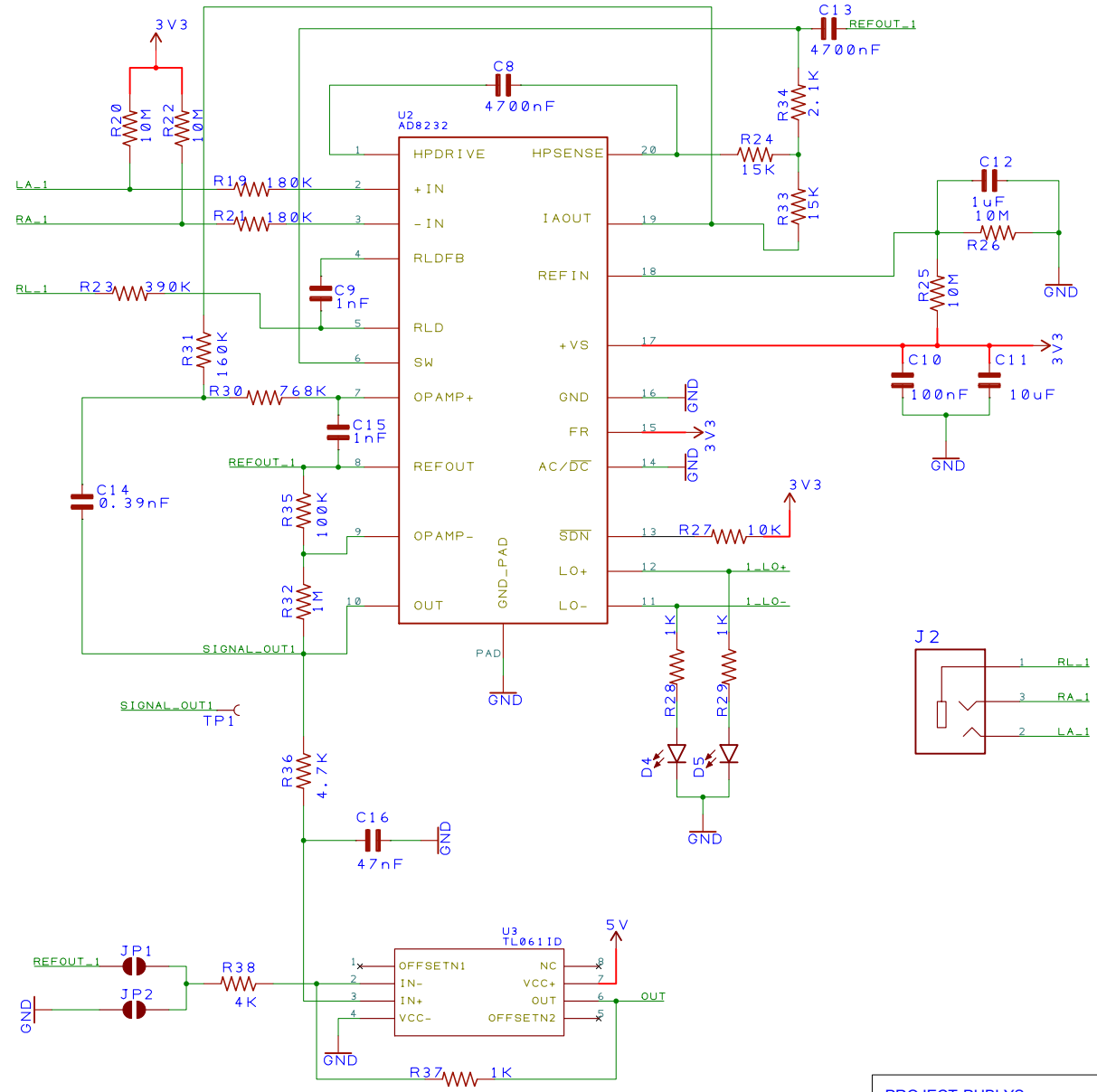
1

2


3

4

EMG SENSOR



Note: High pass cutoff is 23 Hz
 low pass cutoff is 728Hz
 (these values were set to obtain commercial values
 for the resistors and capacitors)

PROJECT: PUBLYS		
DRAWING TITLE:		
DRAWN BY: EVER QUIÑONES		
REVISION: V1.0		
SHEET: 3 OF 3	STATUS:	
DATE: 12/04/2018	DESIGNSPARK PCB available for FREE at www.DesignSpark.com/PCB	

1

2

3

4